

Swift Mobile Tilt Shower and Toilet Chair

Swift Mobile Tilt – the multifunctional alternative

Swift Mobile Tilt makes showering and toileting easier and safer for patients. The seat unit is both angle and height adjustable. The soft backrest molds to fit the patient's back for a safe and comfortable position when leaning back. Both the armrests and footrests are moveable to ensure easy transfer to and from the chair.

The safe alternative – for home and hospital

Swift Mobile Tilt is designed to ensure high comfort for both patient and caregiver. The patient is ensured a safe and comfortable seat, while the caregiver is able to maneuver the chair easily, providing optimum care. The moldable backrest and gently arched footrests with heel straps add that little bit extra support. The tilt function is controlled by a metal bar running the width of the chair, just below the top of the frame. The metal bar is useful because it makes it possible to stand to the side and still be able to reach the bar and adjust the seat angle. This enables the caregiver and the patient to maintain eye contact for better communication.

Chair Features:



Comfortable Textile Backrest

The backrest upholstery can be adjusted using velcro straps for maximum comfort. The upholstery can easily be removed for cleaning.

Balanced Angle Adjustment

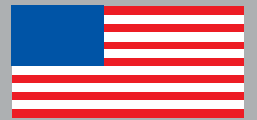
The seat unit can be angled from +5 to -30 degrees. With a simple adjustment the seat unit can be angled from 0 to -35 degrees. The position of the gas cartridges supports the raising of the seat unit, which makes the caregiver's job easier.

Ergonomic footrests

The footrests are gently arched to provide stable and comfortable support for the feet. The outer edges of the footrests are designed to protect the feet from the casters.

Easy to adjust height

No tools are required for height adjustment. The seat height can be adjusted from 19.7" to 25.6". When the chair is set to a higher position, the center of gravity moves forward, which further improves safety.



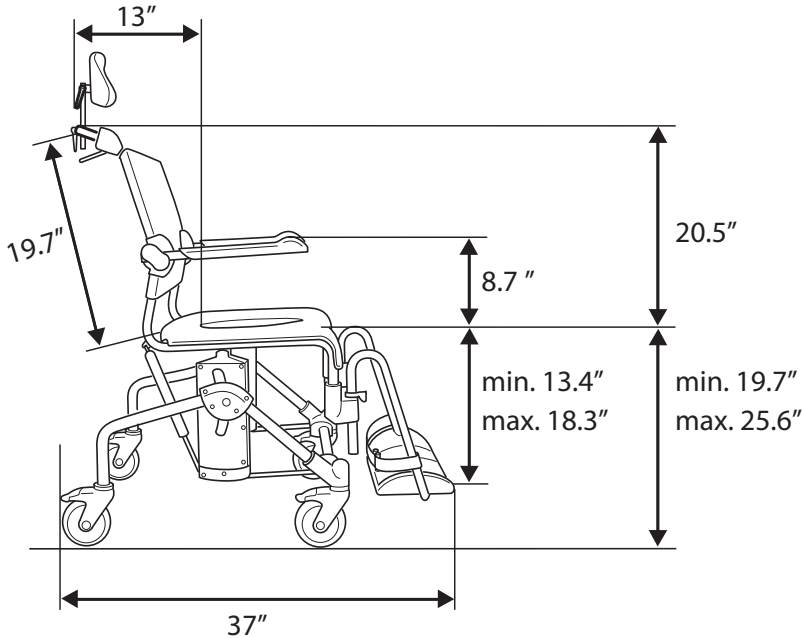
MADE IN THE USA



Swift Mobile Tilt Shower and Toilet Chair (cont.)

Model #100232 – lifts up to 300 lbs.

Med
HANDLE WITH CARE.



Technical Specifications for Swift Mobile Tilt

Standard Features:	Neckrest, backrest, armrest, seat, legrests, footrests, heelstraps, 4 braked casters	Gas Pistons:	Lift capacity 130N
Chassis:	Powder painted steel	Total Width:	22.75"
Seat/Armrest:	Polypropylene/PP	Total Length:	37"
Backrest:	Polyester/velcro/PA	Adjustable Tilt Angle:	+5 to -30 / 0 till -35 degrees
Footrest:	Polypropene	Adjustable Seat Height:	19.7" – 25.6"
Headrest:	Polyurethane	Width Between Arm Rests:	19"
Casters:	Polyamide/TPE, lockable, ball bearing	Weight:	43 lbs.
Cleaning:	Clean the chair with a solvent-free detergent. 185 F if so required	Max. User Weight:	300 lbs.

PRODUCT HIGHLIGHTS

- To facilitate recycling, the chair and its parts are easy to dismantle and sort
- The angle adjustment bar makes it possible to stand to the side and still be able to reach the bar and adjust the seat angle. This enables the caregiver and the patient to maintain eye contact for better communication.



Medcare Products

151 East Cliff Road
Burnsville, MN 55337

Toll-free: 800-695-4479

Fax: 952-894-7153

www.medcarelifts.com

© 2010 Medcare Products Inc.
Specifications are subject to change without notice. All products referred herein are registered trademarks or trademarks of their respective holders.