

Swift Mobile Tilt Shower & Toilet Chair Owner's Manual



Contents

Page 2	General Information
2	Product Description
3	Assembly/Dimension Table
4	Height Adjustment
5	Tilt Function
5	Legrest
6	Armrest lock (accessories)
6	Recycling
6	Transport
6	Warranty/maintenance
6	Safety
7	Accessories



General Information

Thank you for choosing a shower chair from Medicare.

In order to avoid injury during handling and use, please read through this manual first. In the manual, the user is the person sitting in the chair. The assistant is the person operating the chair.

Swift Mobile Tilt is a shower and toilet chair intended to make hygiene care easier for people with reduced mobility and their caregivers.

Swift Mobile Tilt has been tested by a testing institute and complies with the requirements stated in EN ISO 10993-1 and SS EN 12182.

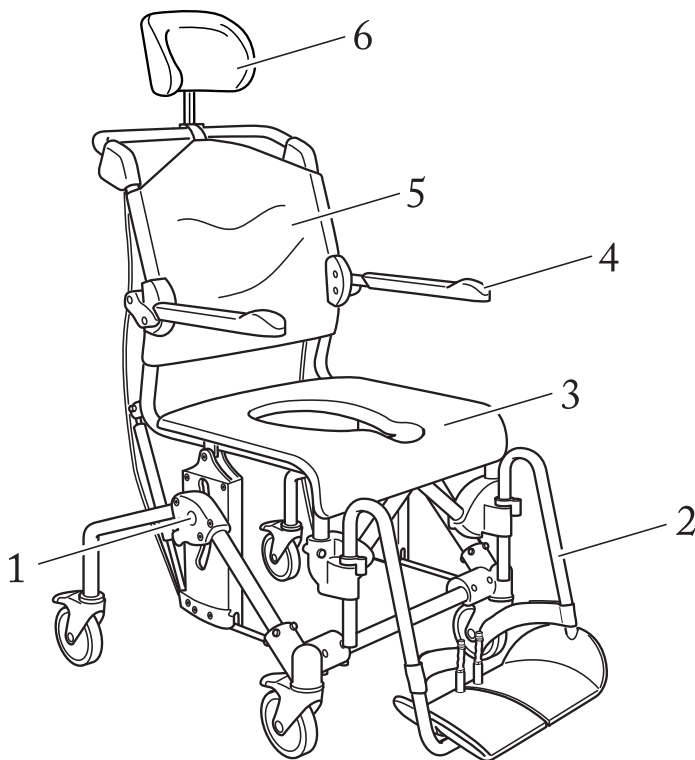
It is designed for use in showers, with hand basins and over toilets, as well as for transport to and from the rest room.

Every component of the chair is designed to make things easier for users and assistants.



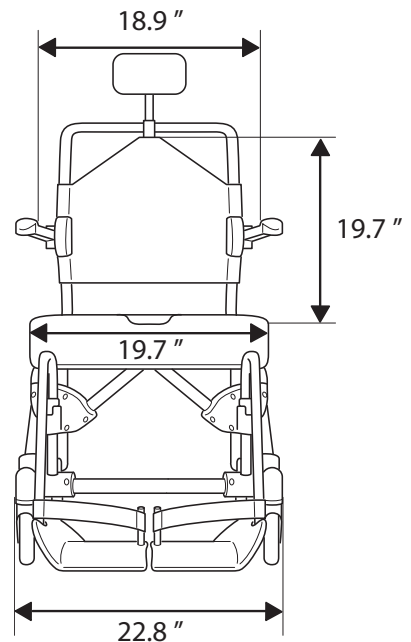
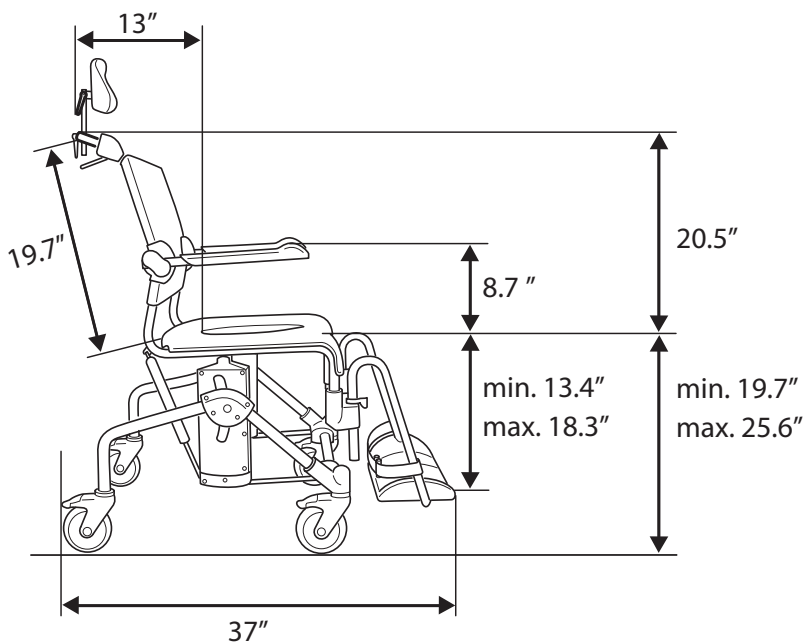
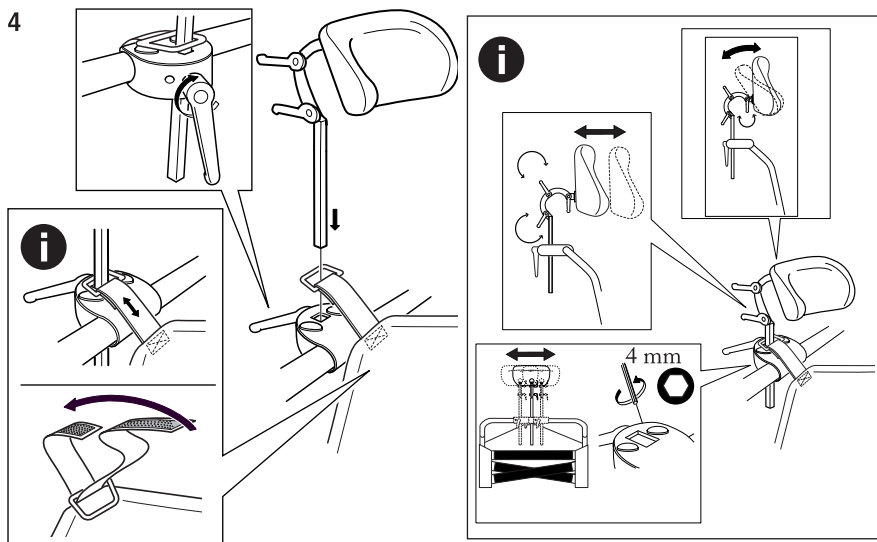
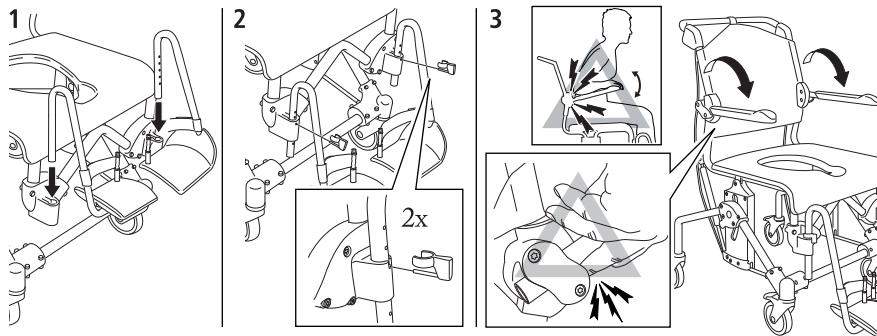
CAUTION: This symbol appears in the manual along with text. It indicates instances where the safety of the user or the assistant may be at risk.

Product Description



1. Bolt
2. Legrest
3. Seat
4. Armrest
5. Backrest upholstery
6. Headrest

Assembly/Dimension Table



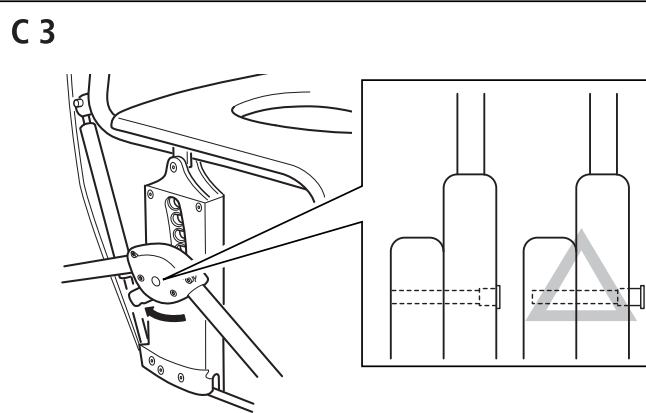
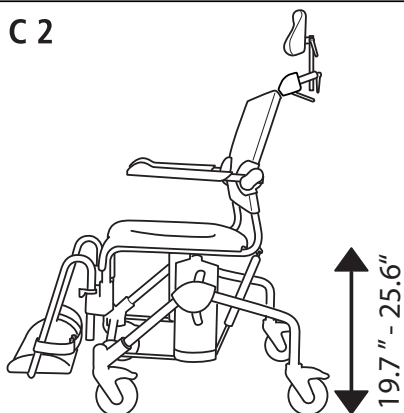
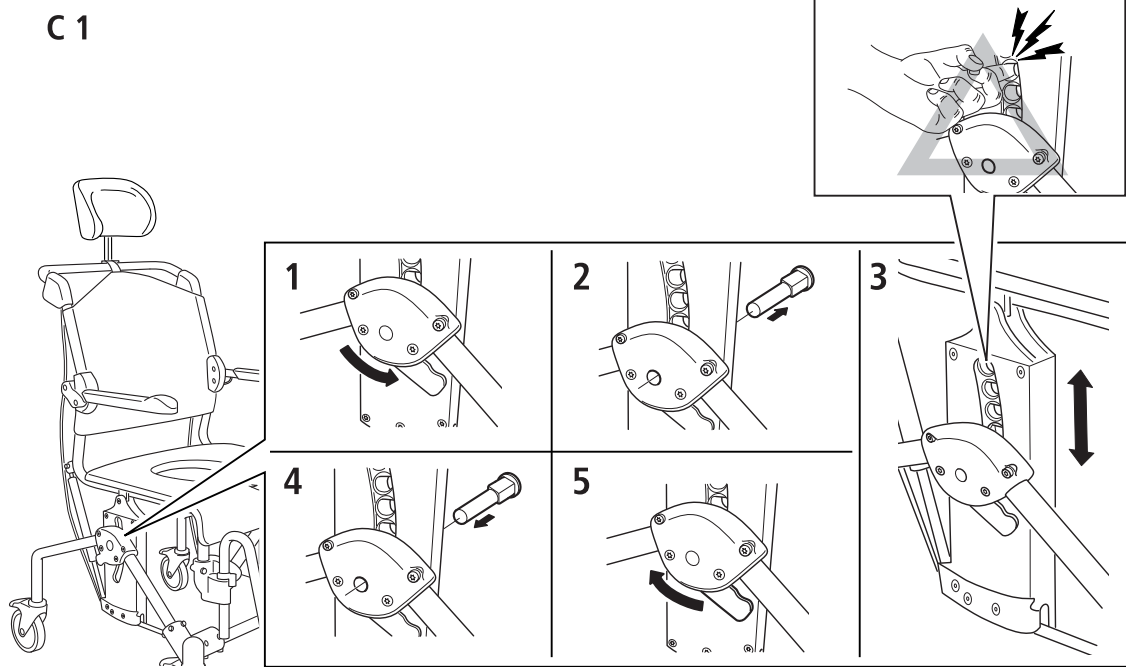
Height Adjustment

The height can be adjusted with ease by positioning the bolt in the required position (fig. C 1).

Swift Mobile Tilt is height-adjustable between 19.7" and 25.6" (fig. C 2).



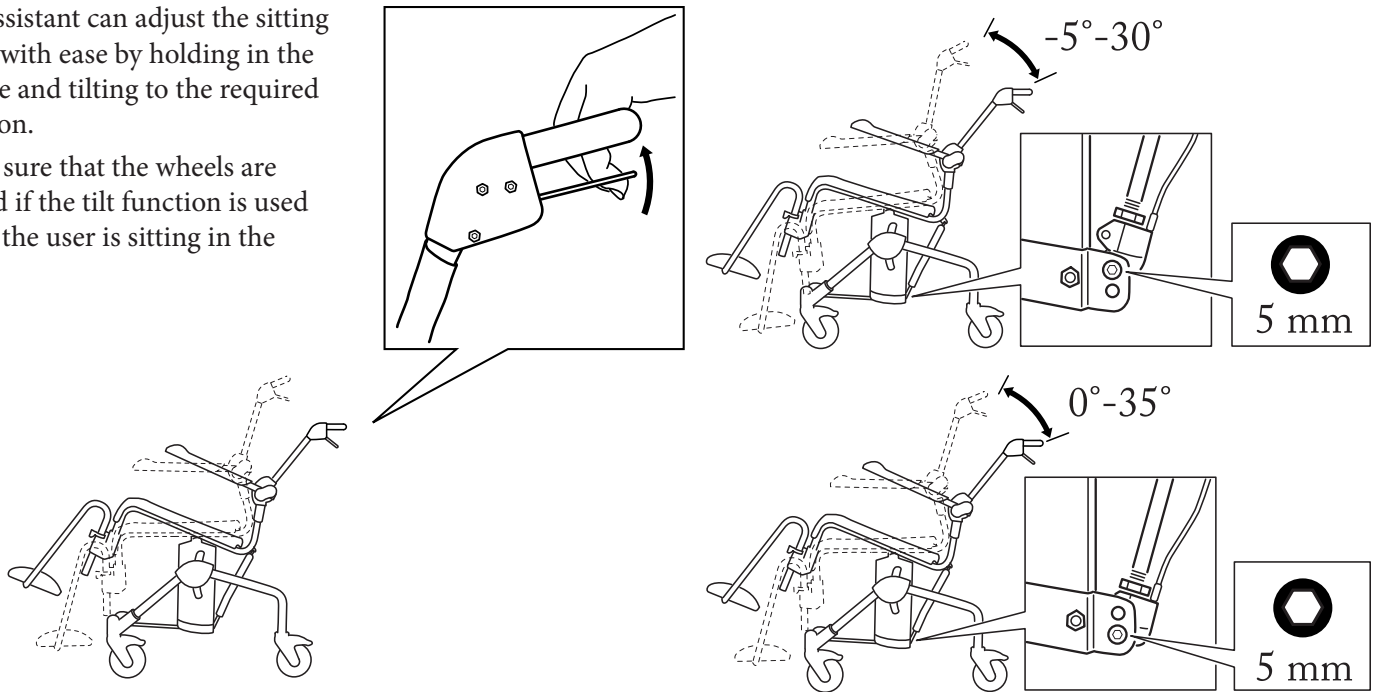
CAUTION: Check that both sides are similarly adjusted, otherwise stability will be reduced. Do not use the chair if the bolt (orange) is not locked (fig. C 3).



Tilt Functions

The assistant can adjust the sitting angle with ease by holding in the handle and tilting to the required position.

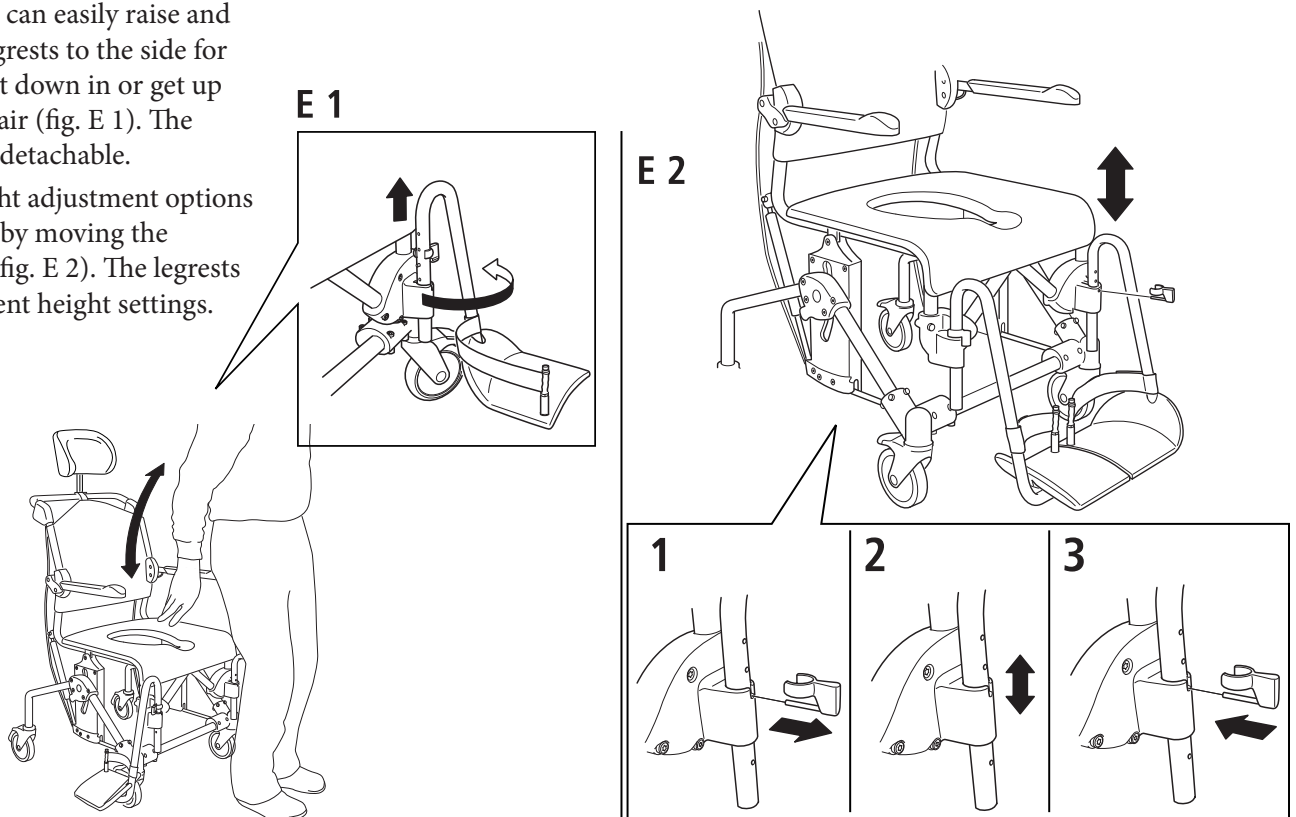
Make sure that the wheels are locked if the tilt function is used when the user is sitting in the chair.



Legrest

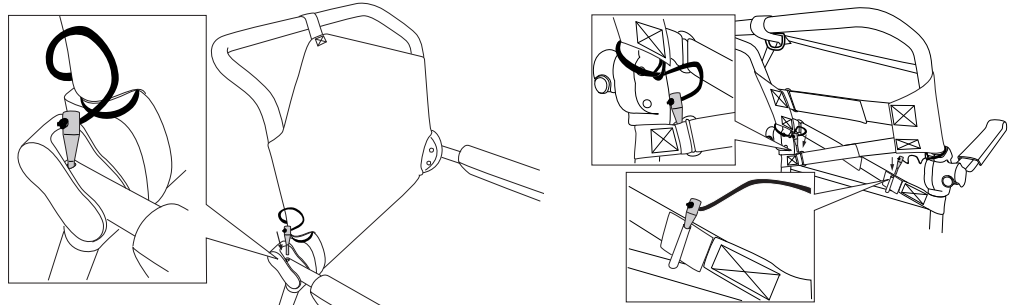
The assistant can easily raise and swivel the legrests to the side for the user to sit down in or get up out of the chair (fig. E 1). The footrests are detachable.

Various height adjustment options are available by moving the locking pin (fig. E 2). The legrests have 6 different height settings.



Armrest Lock (accessories)

Secure the armrest in the lowered position by inserting the locking pin in the hole. When the armrest lock is not in use, the pins can be stored in pockets in the back of the backrest upholstery.

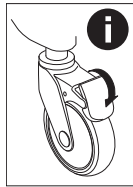


Recycling

This product should be recycled as per regulations in your area.

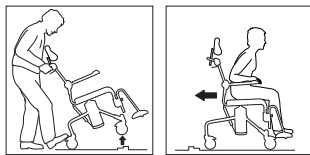
Transport

1. Make sure that at least two of the wheels are locked whenever the user is sitting down in or getting up out of the chair.
2. The legrests should be swivelled to the side whenever the user is sitting down or getting up.



Negotiating thresholds:

1. Chair only: Place one foot on the rear chassis tube.
2. With a user: move the chair backwards. Ensure that the castors are facing in the direction of travel.



Safety

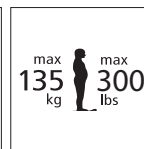
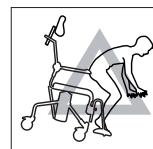
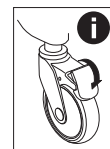


CAUTION: A defective chair should not be used.

Make sure that the wheels are locked whenever the user is sitting down in or getting up out of the chair and when using the tilt function with the user in the chair.

Anti-tip stabilizers should be used if the user is a leg amputee. Do not stand on the footrests, risk of tipping!

Swift Mobile can be used by people weighing a maximum of 300 lbs.



Warranty/Maintenance

Warranty

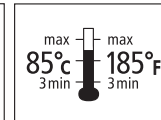
The warranty period for material and manufacturing defects is 5 years.

Maintenance and reconditioning:

To keep the chair in good and safe working order, you should regularly:

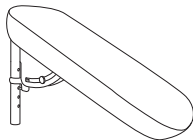
- Clean the chair with ordinary non-abrasive detergent. Rinse and dry.

- The product can be cleaned at 85 °C/185 F for 3 minutes.
- Keep the castors free of hair and soap deposits, etc. If your shower and toilet chair is not in perfect working order, contact your dealer.

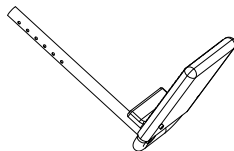


Accessories

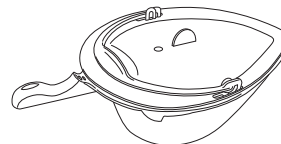
Leg and Calf Rest, Angle-variable



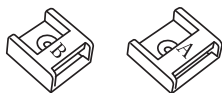
Foot Rest



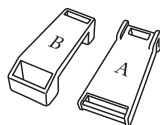
Commode Pan



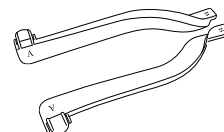
Pan Holder Attachments



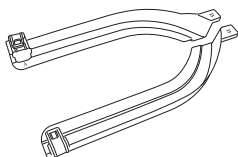
Attachments for Low Panholder Mounting



Commode Pan Holders



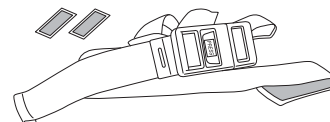
Bucket Holders



Splash Guard



Positioning Belt



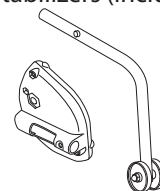
Comfort Seat



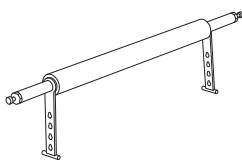
Seat Cover



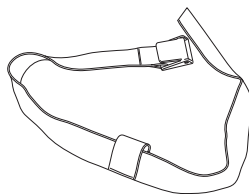
Anti-tip Stabilizers (including bracket)



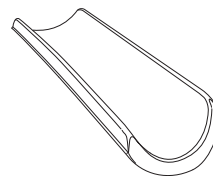
Crossbar 605mm



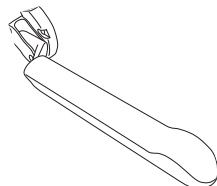
Chest Belt



Hemiplegic Armrest



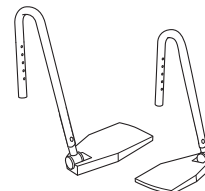
Widening Kit, Armrest



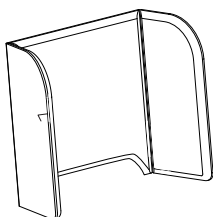
Armrest Lock



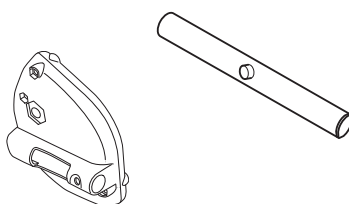
Angle Adjustable Footrest



Soft Back Pad



Tilter





151 East Cliff Road
Burnsville, MN 55337
Toll-free: 800-695-4479
www.MedcareLifts.com