

Portable Ceiling Lift



Transportable for Multi-Room Settings

Ceiling lifts dramatically reduce and eliminate injuries resulting from patient handling. The Medicare Portable Ceiling Lift solves many of the problems that make patient transfers complex or difficult. It is lightweight, portable and designed to provide complete control for the caregiver. In addition, it offers a wide range of safety mechanisms to assure confidence throughout the transfer.

The Medicare Portable Ceiling Lift is easy to hold and available in two lifting capacities: 440 lbs. and 600 lbs. It can be moved from one track system to another, providing a safe transfer in multiple rooms.

Item Number:

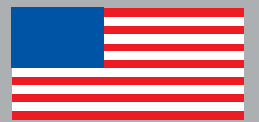
303070 – Portable Ceiling Lift,
440 lbs. capacity

303090 – Portable Ceiling Lift,
600 lbs. capacity

Features:

- Automatic sleep function provides battery conservation
- Manual traversing
- 80" lifting range
- Lift hook securely snaps onto track trolley eyelet
- Emergency lowering system
- Built in safety stops
- Dual location controls – Hand control and control panel on lift
- Oversize and easy to push buttons for easy operation
- 4-point sling hook-up system
- Over-speed safety governor
- Soft start/stop for comfort
- Heavy duty batteries for more lifts
- Efficient battery charge cycle
- Visual low battery indicator
- UL certified
- 2 year warranty (excludes batteries)

“The Medicare Portable Ceiling Lift is designed to be easily moved from one track location to another.”



MADE IN THE USA

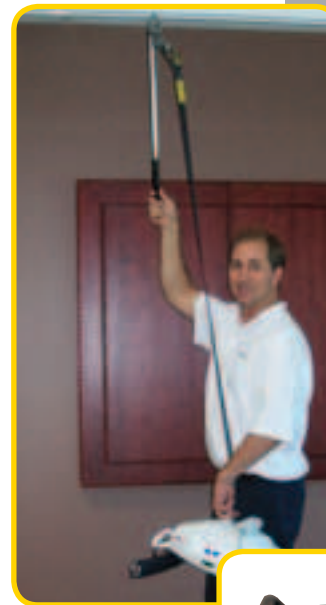
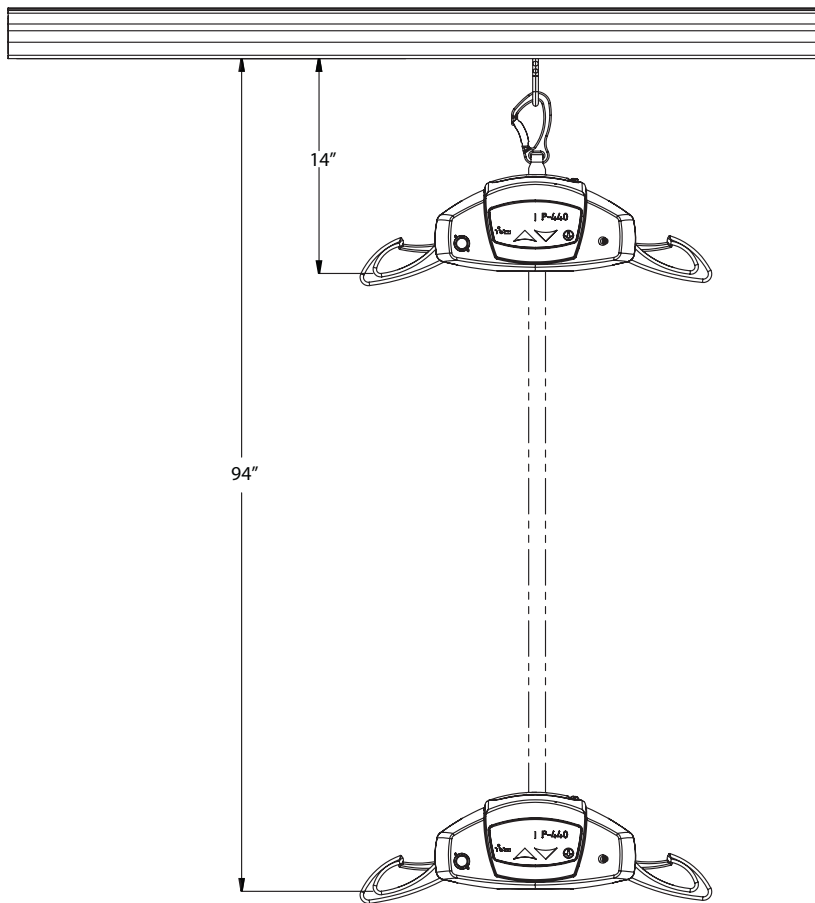


Portable Ceiling Lift

Item #303070 – lifts up to 440 lbs.

Item #303090 – lifts up to 600 lbs.

Med
HANDLE WITH CARE.



Accessories:

Reacher Bar

360405 – 24"

Aluminum Reacher bar (shown)

360404 – 36"

Aluminum Reacher bar

Trolley

360423 – Trolley

Carts

100110 – Utility cart with locking doors

100111 – Economy Plastic Cart (shown)



Technical Specifications

Charger Output:	24 VDC, 1.5 Amps	Lifting Height:	Up to 80" (200 cm)
Batteries:	24 VDC (2 x 12 VDC), 2.3 AH	Hoist Weight:	10.5 lbs. (4.8 kgs)
Lift Case:	Flame Retardant ABS	Maximum Load:	440 lbs. or 600 lbs.
Hand Control:	Pneumatic	Warranty:	Two Years (excludes batteries)

PRODUCT HIGHLIGHTS

- Automatic sleep functions provides battery conservation
- Lightweight and portable
- Integral full-width carry bar with unique contoured shape for optimal client comfort
- Dual controls allow the caregiver to operate the system through the on-board control panel or with the hand control
- The portable ceiling lift is charged with a standard plug and socket
- Safety mechanisms include an over-speed governor, built-in safety limits, slack strap sensor and emergency lowering
- The portable ceiling lift offers a comfortable built-in ergonomic handle, allowing the caregiver to carry and transport with ease
- The handle doubles as a connection point to allow for room to room transfers eliminating the need for costly home modifications



Medcare Products

151 East Cliff Road
Burnsville, MN 55337

Toll-free: 800-695-4479

Fax: 952-894-7153

www.MedcareLifts.com

© 2011 Medcare Products Inc.
Specifications are subject to change without notice. All products referred herein are registered trademarks or trademarks of their respective holders.